



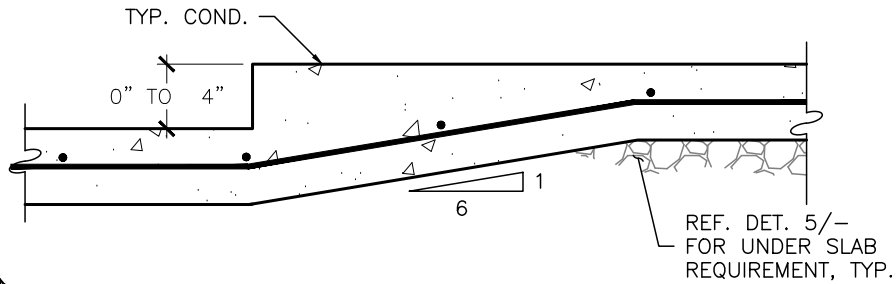
FTF ENGINEERING, INC
 1916 McAllister Street
 San Francisco, CA 94115
 tel - 415-931-8460
 fax - 415-931-8461
 www.ftfengineering.com

SOUTHVIEW

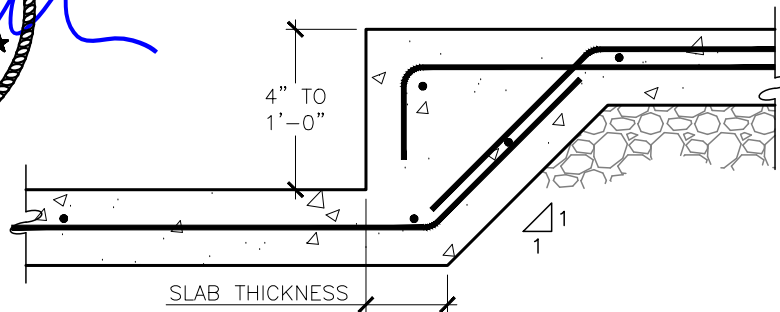
Sausalito, CA 94965

RFI No. NA
Job No. 17-056
Date: 11/16/2018
Scale: As Noted
SKS-002

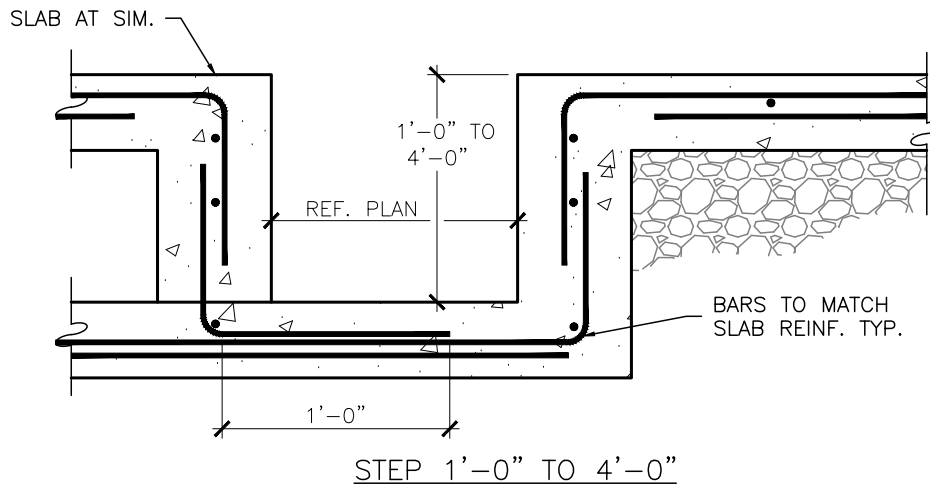
NOTES:
 1. 5" THICK CONC. SLAB W/ #4 @ 18" O.C. UNO
 2. FOR TENNIS COURT SLAB, REFER TO 5-



STEP 0" TO 4"



STEP 4" TO 12"



3

TYPICAL STEP IN SLAB ON GRADE

3/S310

SCALE: 1-1/2"=1'-0"

